

HOTLOK®

HotLok® Blanking Panels with Temperature Strip

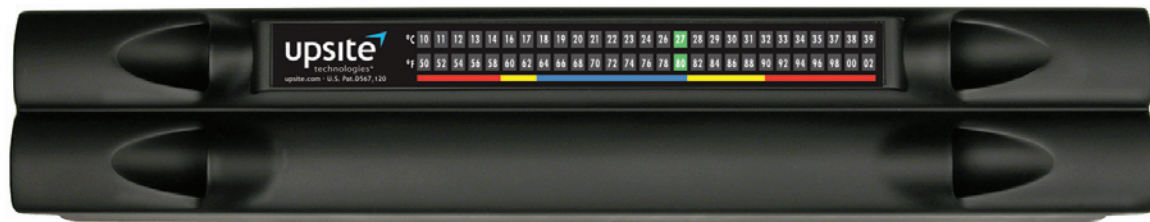
Part Numbers

Black 1U - 10035

Black 2U - 10038



1U Blanking Panel - Part No. 10035



2U Blanking Panel - Part No. 10038

Applications

The HotLok® Blanking Panel is a snap-in blanking panel that seals the rack 29% better than the nearest competitor and helps you identify hot spots within minutes of installation. The cabinet temperatures are indicated in color-coded ranges, depending on location of temperature strip panel. The state-of-the-art technology, designed for both 1U and 2U openings, controls airflow for optimized cooling effectiveness and is Upsite's latest green solution for energy savings and reducing the carbon footprint of data centers.

Both 1U and 2U configured versions achieve the following:

- Reduce hot spots and bypass airflow by preventing equipment exhaust air or hot-aisle air from migrating to the conditioned air-intake stream at the front of the cabinet
- Deliver lower temperature conditioned air to the upper one-third of the cabinet, typically the hottest area and most prone to equipment failure
- Control airflow to save energy by adjusting cooling unit setpoints
- Identify temperatures within a particular range, accurate to within +/- 1° C:

Features

- Cantilevered sealing vanes eliminate the gap between adjoining Blanking Panels or with installed equipment
- Tool-free, snap-in installation requires no additional parts or components for installation
- Easy-pull removal for any EIA-310-E standard openings using ergonomically designed finger grips
- 1U Panels stack 10 high and 2U Panels stack 20 high for easy storage and ready availability
- Upsite® Temperature Strip color-coded temperature ranges indicates potential hot spots by color based on ASHRAE Standard
- HotLok® Blanking Panels with Temperature Strips are a prerequisite to all cooling configurations best practices including hot and cold aisle containment

Benefits

- Use 1U and 2U versions on cabinets with standard 19-inch rail widths (483 millimeter) or with any standard EIA-310-E openings
- Use to determine the temperature at that position in the cabinet or install throughout to determine the range of temperatures from the top to the bottom of the cabinets
- Use in a Hot and Cold Aisle layout for low or high heat density cabinets
- Use in existing cabinets for optimization and standardization

Specifications

Dimensions	Inches	Millimeters
Part No. 10035 - 1U - Overall size (length x height)	19" x 1.75"	482.5 x 44.45mm
Part No. 10038 - 2U - Overall size (length x height)	19" x 3.5"	482.5 x 89mm

Reading the Temperature Strip

The liquid crystal material in the Upsite® Temperature Strip shows temperatures in ranges of green, brown, and blue. The actual temperature is indicated when the liquid crystal material is green. If green is not visible on the Temperature Strip, the actual temperature will be the number between the brown and blue colors.

The colored range indicators denote the following:

- Blue: Optimal Operating Range based on recommendations as updated in ASHRAE's 2008 Environmental Guidelines for Datacom Equipment
- Yellow: Acceptable Operating Range based on equipment manufacturers' recommendations for Class 1 IT equipment
- Red: Outside acceptable operating range—indicates a definite hotspot above 90°F (32°C) or potential for condensation below 59°F (15°C), either of which may result in equipment failure

Patented Rack Sealing System

U.S. design patent number D577,360 and multiple International design patents. U.S. and International utility patents pending

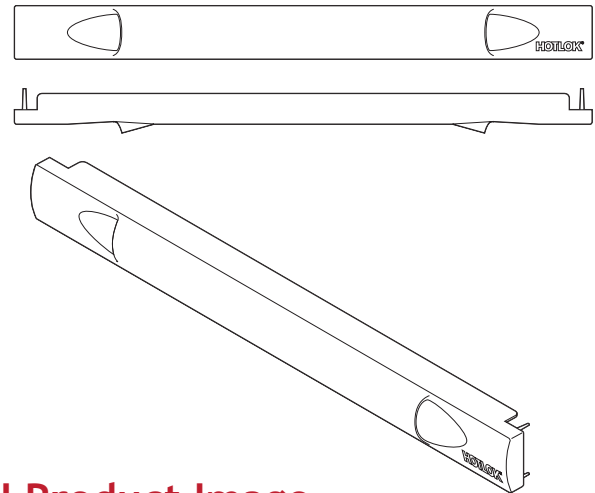


Winner of the Best Product Award
in the Infrastructure category.

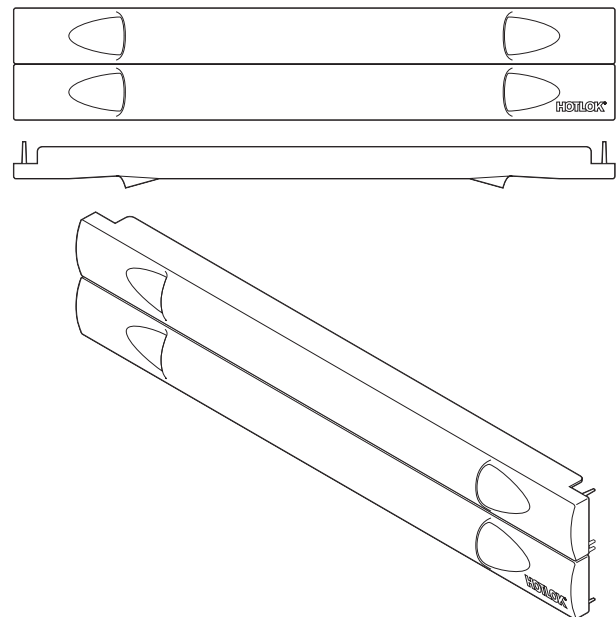
Frame Materials

Black - ABS (Acrylonitrile Butadiene Styrene)

1U Product Image



2U Product Image



Geist Americas
1821 Yolande Ave.
Lincoln, NE 68521
1.800.432.3219
402.474.3400
www.geistglobal.com