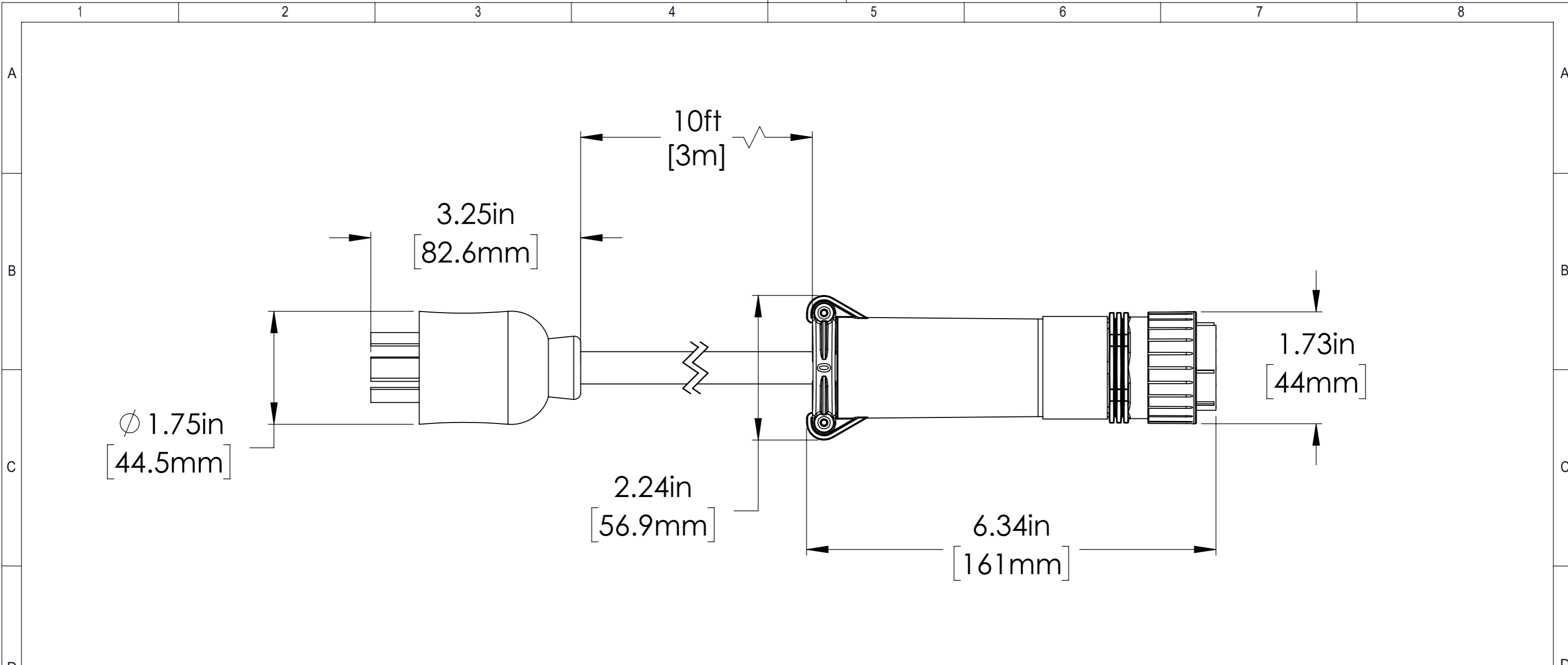


Disclosure and photocopying of this document, exploitation and communication of its contents are not permitted, unless permission is expressly granted. All rights are reserved.

Weitergabe sowie Vervielfältigung dieser Unterlage, Verwertung und Mitteilung ihres Inhalts nicht gestattet, soweit nicht ausdrücklich zugestanden. Alle Rechte vorbehalten.



OUTPUT POWER

CIRCUIT	Connector Type	VOLTAGE (V)
1	Universal Connector	200-240V

INPUT POWER

INPUT CORD	INPUT PLUG	WIRE COUNT	FREQUENCY (Hz)	VOLTAGE (V)	RATED AMPS (A)	MAX. CONT. AMPS (A)
10ft / 3m	NEMA L6-30P	2/PE	50/60	200-240V	24	24

AGENCY COMPLIANCE:
UL & c-UL Listed 60950
RoHS Compliant

NOTES
SHIPPED WEIGHT: 3lbs (1.36kg)
SHIPPING DIMENSIONS: 23in x 15in x 7in / 566mm x 381mm x 166mm



NEMA L6-30P

		Allgemeintoleranzen General tolerances		Oberfläche Finish		Werkstoff / Material		Gewicht: - Weight:	
		-		-		-			
		Date		Name		Bezeichnung / Description			
		Drawn 17/03/20		JC		Facility Side Cable, 30A, 208V, 4.9kW, 10ft / 3m Facility Side Cable, 10ft power cord with L6-30P with Universal Connector.			
		Checked -		-					
		Approved -		-					
						Zeichnungs-Nr. / Drawing no.		Maßstab Scale	
						FSC1N001		1:1.5	
						Verwendet in / Used in		Blatt/Sheet	
						-		1/1	



Rev.	Change	Date	Name
-	-	-	-