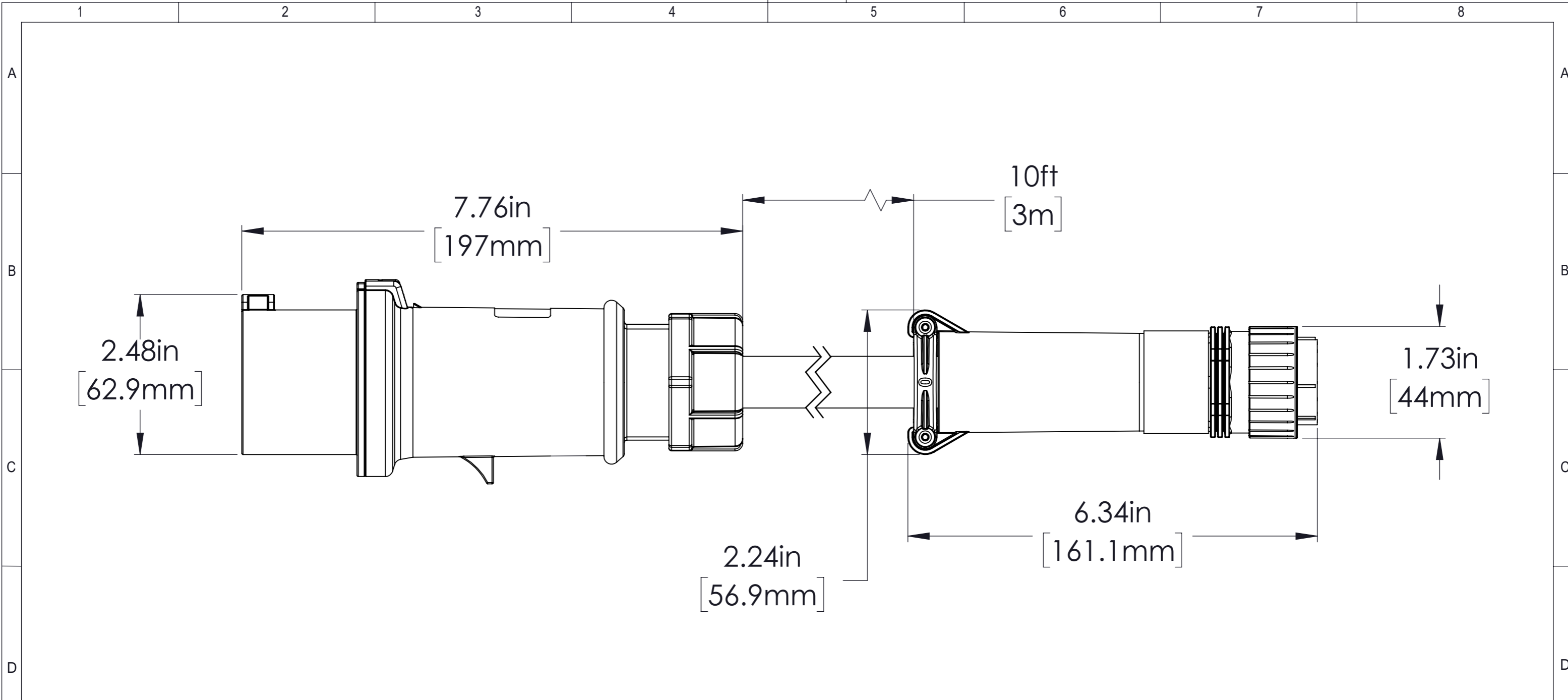


Disclosure and photocopying of this document, exploitation and communication of its contents are not permitted, unless permission is expressly granted. All rights are reserved.

Weitergabe sowie Vervielfältigung dieser Unterlage, Verwertung und Mitteilung ihres Inhalts nicht gestattet, soweit nicht ausdrücklich zugestanden. Alle Rechte vorbehalten.



OUTPUT POWER

CIRCUIT	Connector Type	VOLTAGE (V)
1	Universal Connector	200-240V

INPUT POWER

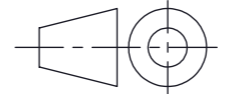
INPUT CORD	INPUT PLUG	WIRE COUNT	FREQUENCY (Hz)	VOLTAGE (V)	RATED AMPS (A)	MAX. CONT. AMPS (A)
10ft / 3m	IEC 60309 IP44	2/PE	50/60	200-240V	32A	32A

AGENCY COMPLIANCE:
 CE Marked
 RoHS Compliant
 Complies with EN 55032 and EN 55024
 Complies with IEC 60950-1 (CB Certificate Available)

NOTES
 SHIPPED WEIGHT: 3lbs (1.36kg)
 SHIPPING DIMENSIONS: 23in x 15in x 7in / 566mm x 381mm x 166mm



IEC 2P+E (IP44)

 Dimensions in mm		Allgemeintoleranzen General tolerances		Oberfläche Finish		Werkstoff / Material		Gewicht: Weight: -	
		-		-		-		-	
Rev.		Change		Date		Name		Bezeichnung / Description	
-		-		08/04/20		SW		Facility Side Cable, 30/32A, 230V, 7.3kW, 10ft / 3m with IEC 2P+E (IP44) and Universal Connector	
-		-		-		-		Zeichnungs-Nr. / Drawing no.	
-		-		-		-		FSC1U001	
-		-		-		-		Verwendet in / Used in	
-		-		-		-		Blatt/Sheet	
-		-		-		-		1/1	

