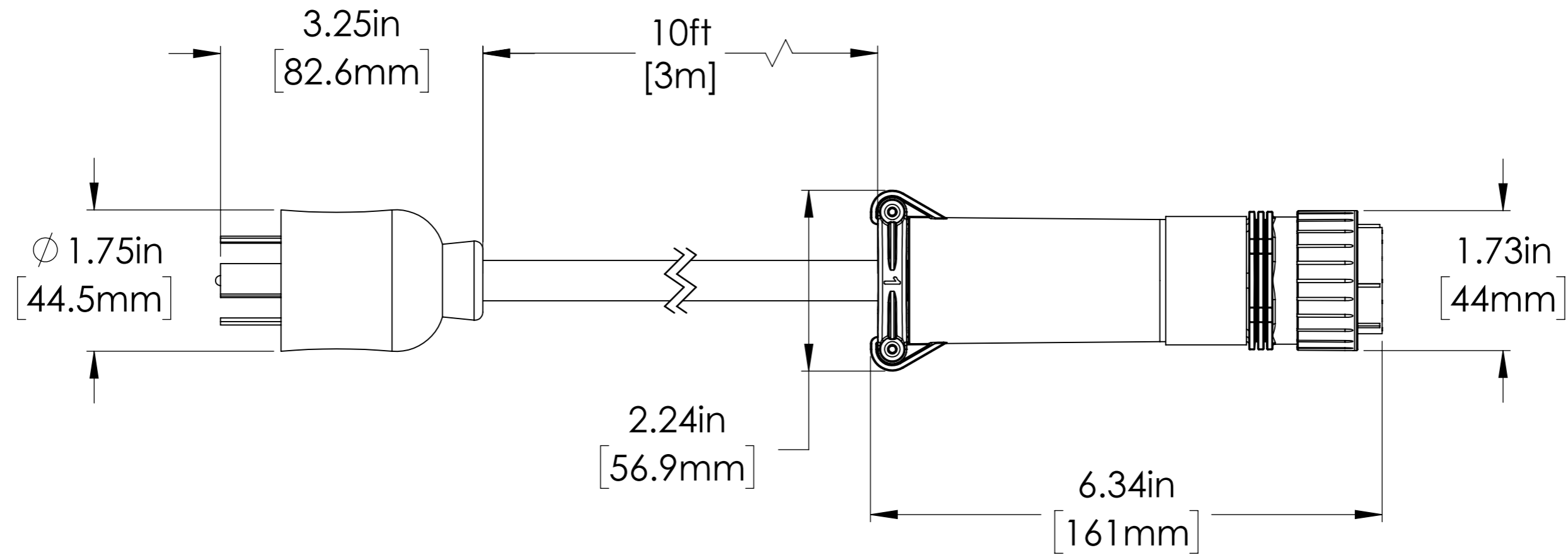


Disclosure and photocopying of this document, exploitation and communication of its contents are not permitted, unless permission is expressly granted. All rights are reserved.



OUTPUT POWER

CIRCUIT	Connector Type	VOLTAGE (V)
1	Universal Connector	100-120/200-240V

INPUT POWER

INPUT CORD	INPUT PLUG	WIRE COUNT	FREQUENCY (Hz)	VOLTAGE (V)	RATED AMPS (A)	MAX. CONT. AMPS (A)
10ft / 3m	NEMA L21-30P	3/N/PE	50/60	100-120/200-240V WYE	24A	24A

AGENCY COMPLIANCE:
 RoHS Compliant
 FCC Part 15 Class A Conformance
 UL & c-UL Listed 60950

NOTES
 SHIPPED WEIGHT: 5lbs (2.27kg)
 SHIPPING DIMENSIONS: 23in x 15in x 7in / 566mm x 381mm x 166mm



NEMA L21-30P

		Allgemeintoleranzen General tolerances -	Oberfläche Finish -	Werkstoff / Material -	Gewicht: - Weight: -
Dimensions in mm		Date 17/3/20	Name JC	Bezeichnung / Description Facility Side Cable, 30A, 120/208V WYE, 8.6kW, 10ft power cord with L21-30P with Universal Connector.	
		Drawn			
		Checked			
		Approved			
				Zeichnungs-Nr. / Drawing no. FSC3N003	
				Verwendet in / Used in -	
Rev.	Change	Date	Name	Maßstab Scale 1:1.5	
				Blatt/Sheet 1/1	



Weitergabe sowie Vervielfältigung dieser Unterlage, Verwertung und Mitteilung ihres Inhalts nicht gestattet, soweit nicht ausdrücklich zugestanden. Alle Rechte vorbehalten.