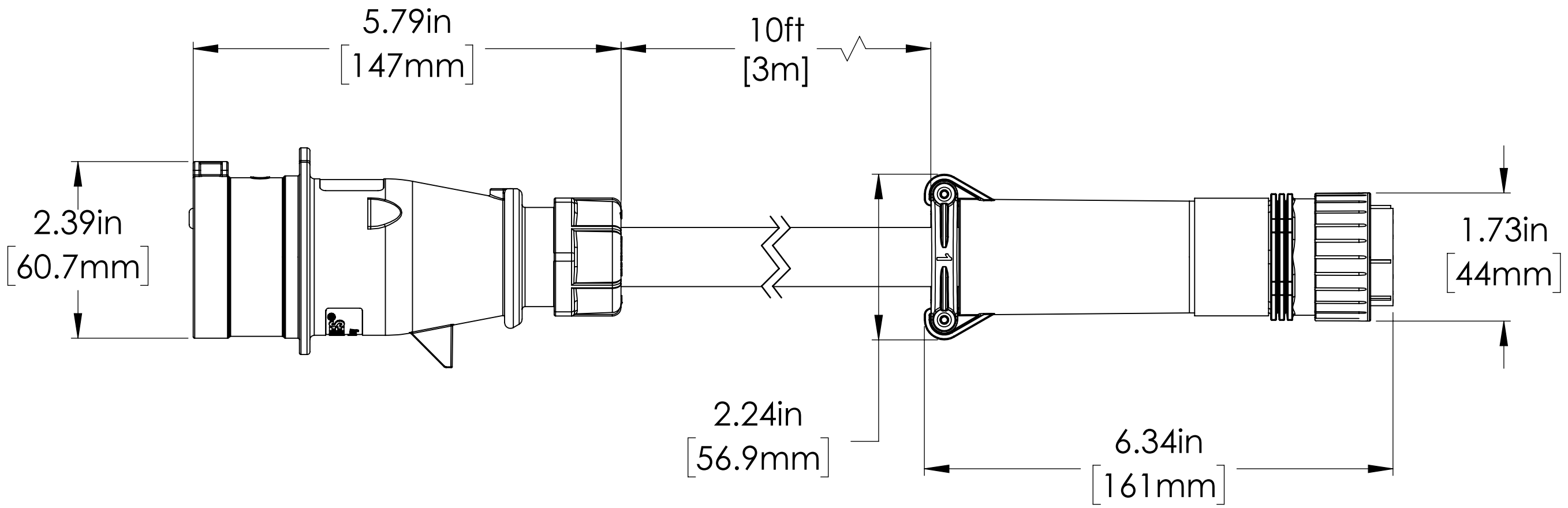


Disclosure and photocopying of this document, exploitation and communication of its contents are not permitted, unless permission is expressly granted. All rights are reserved.

Weitergabe sowie Vervielfältigung dieser Unterlage, Verwertung und Mitteilung ihres Inhalts nicht gestattet, soweit nicht ausdrücklich zugestanden. Alle Rechte vorbehalten.



**OUTPUT POWER**

CIRCUIT	Connector Type	VOLTAGE (V)
1	Universal Connector	200-240V

**INPUT POWER**

INPUT CORD	INPUT PLUG	WIRE COUNT	FREQUENCY (Hz)	VOLTAGE (V)	RATED AMPS (A)	MAX. CONT. AMPS (A)
10ft / 3m	IEC 60309 IP44	3/N/PE	50/60	200-240/346-415V WYE	16A	16A

**AGENCY COMPLIANCE:**

- CE Marked
- RoHS Compliant
- Complies with EN 55032 and EN 55024
- Complies with IEC 60950-1 (CB Certificate Available)
- FCC Part 15 Class A Conformance
- UL & c-UL Listed 60950

**NOTES**

SHIPPED WEIGHT: 6lbs (2.72kg)  
 SHIPPING DIMENSIONS: 23in x 15in x 7in / 566mm x 381mm x 166mm



**3P+N+E (IP44)**

		Allgemeintoleranzen General tolerances		Oberfläche Finish		Werkstoff / Material		Gewicht: - Weight:	
		-		-		-			
-		Date		Name		Bezeichnung / Description			
-		Drawn		JC		Facility Side Cable, 16A/20A, 230/400V WYE, 11.0kW, 10ft / 3m with IEC 3P+N+E (IP44) and Universal Connector.			
-		Checked		-					
-		Approved		-					
-		-		-		Zeichnungs-Nr. / Drawing no.		Maßstab Scale	
-		-		-		<b>FSC3U001</b>		<b>1:1.5</b>	
-		-		-		Verwendet in / Used in		Blatt/Sheet	
-		-		-		-		1/1	
Rev.	Change	Date	Name						