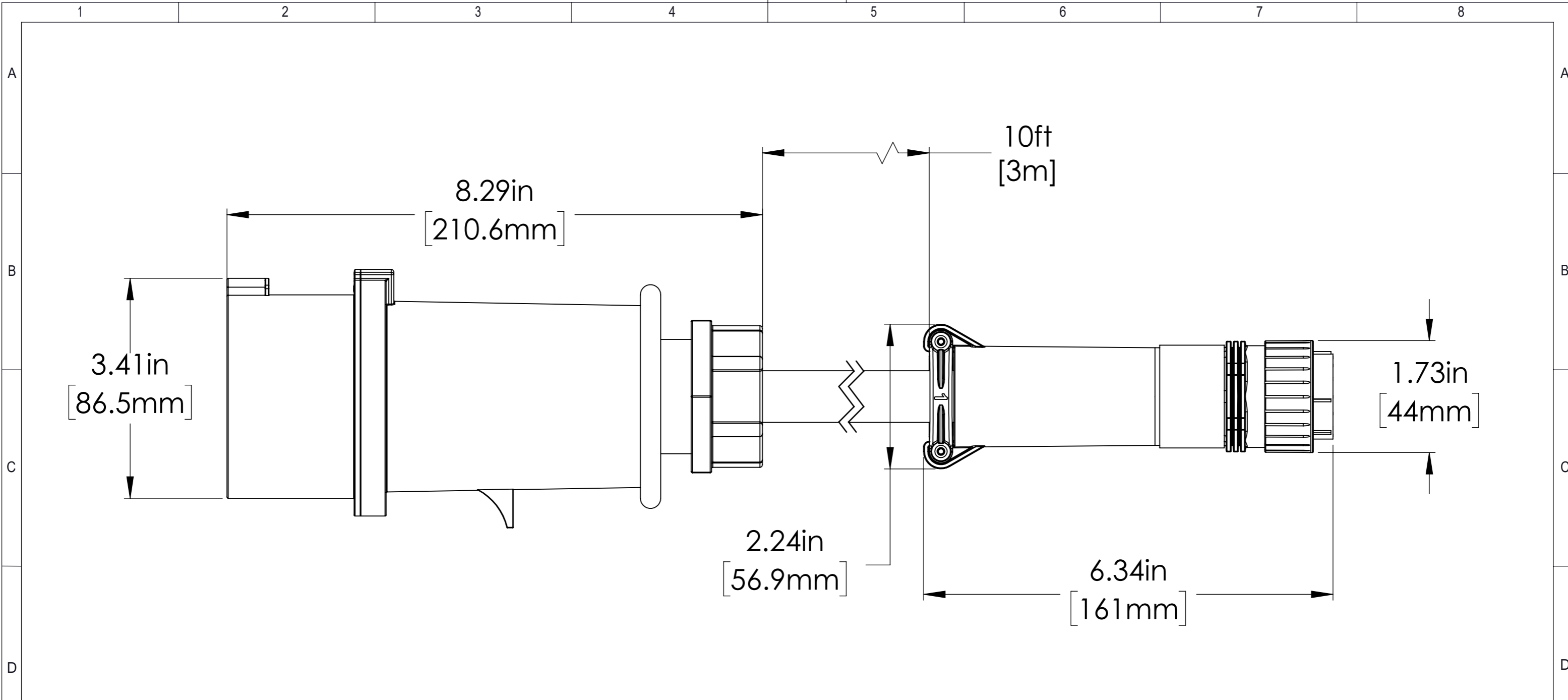


Disclosure and photocopying of this document, exploitation and communication of its contents are not permitted, unless permission is expressly granted. All rights are reserved.

Weitergabe sowie Vervielfältigung dieser Unterlage, Verwertung und Mitteilung ihres Inhalts nicht gestattet, soweit nicht ausdrücklich zugestanden. Alle Rechte vorbehalten.



OUTPUT POWER

CIRCUIT	Connector Type	VOLTAGE (V)
1	Universal Connector	200-240V

INPUT POWER

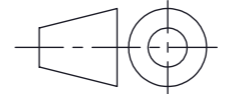

INPUT CORD	INPUT PLUG	WIRE COUNT	FREQUENCY (Hz)	VOLTAGE (V)	RATED AMPS (A)	MAX. CONT. AMPS (A)
10ft / 3m	IEC 60309 IP44	3/N/PE	50/60	200-240/346-415V WYE	24A	24A

AGENCY COMPLIANCE:
 CE Marked
 RoHS Compliant
 Complies with EN 55032 and EN 55024
 Complies with IEC 60950-1 (CB Certificate Available)
 FCC Part 15 Class A Conformance
 UL & c-UL Listed 60950

NOTES
 SHIPPED WEIGHT: 6lbs (2.72kg)
 SHIPPING DIMENSIONS: 23in x 15in x 7in / 566mm x 381mm x 166mm



3P+N+E (IP44)

 Dimensions in mm		Allgemeintoleranzen General tolerances -	Oberfläche Finish -	Werkstoff / Material -	Gewicht: - Weight: -
		Drawn 17/03/20	Name JC	Bezeichnung / Description Facility Side Cable, 30/32A, 230/400V WYE, 22.0kW, 10ft / 3m with IEC 3P+N+E (IP44) and Universal Connector.	
		Checked -	-	Zeichnungs-Nr. / Drawing no. FSC3U002	
		Approved -	-	Verwendet in / Used in -	
Rev.	Change	Date	Name	 VERTIV ™	
				Maßstab Scale 1:1.5	
				Blatt/Sheet 1/1	