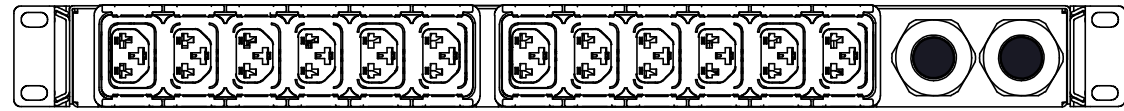


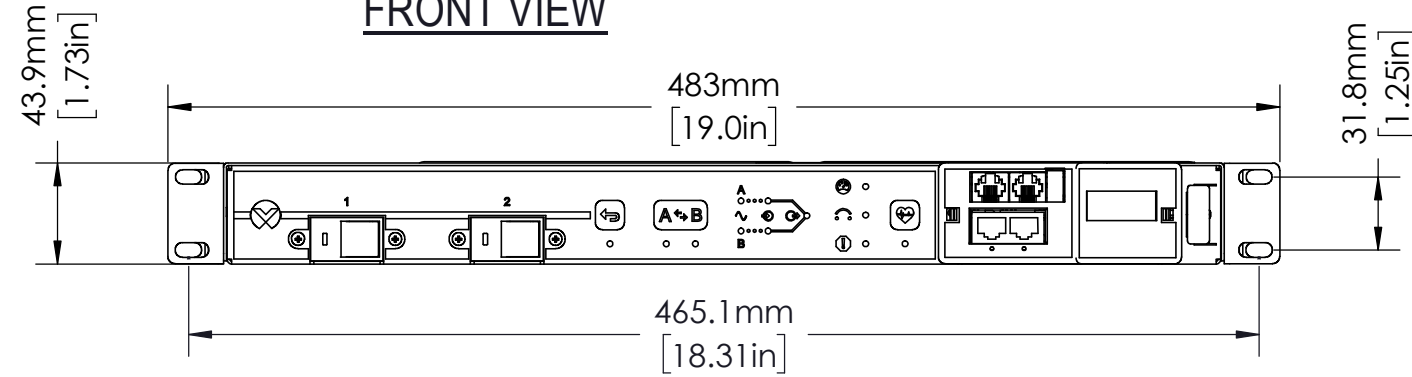
Disclosure and photocopying of this document, exploitation and communication of its contents are not permitted, unless permission is expressly granted. All rights are reserved.

Weitergabe sowie Vervielfältigung dieser Unterlage, Verwertung und Mitteilung ihres Inhalts sind gestattet, soweit nicht ausdrücklich zugestanden. Alle Rechte vorbehalten.

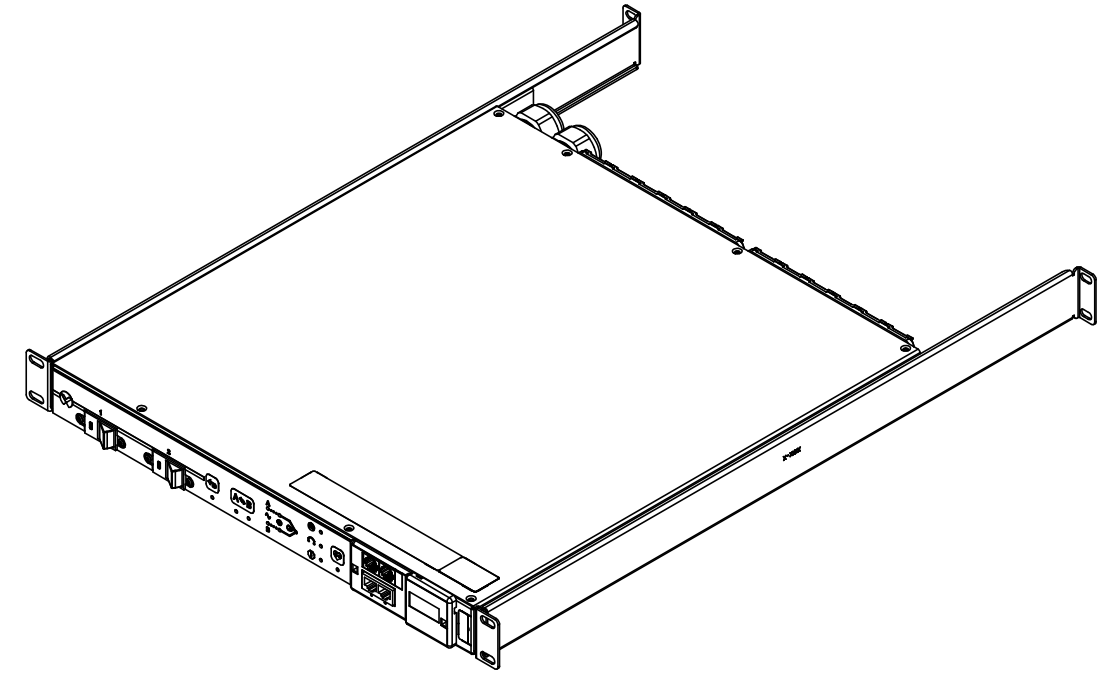
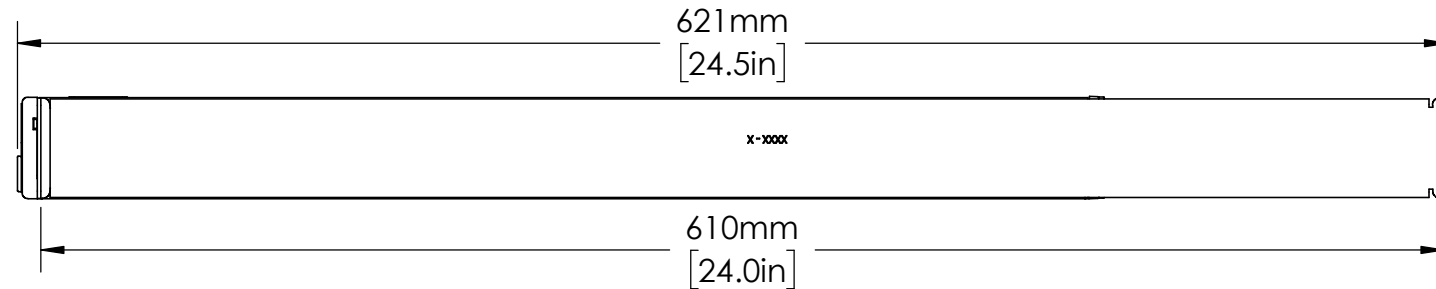
REAR VIEW



FRONT VIEW



SIDE VIEW



AGENCY COMPLIANCE:

- CE Marked
- Complies with EN 55032 and EN 55024
- Complies with IEC 62368 (CB Certificate Available)
- RoHS Compliant
- UL Listed 62368
- FCC Part 15 Class A Conformance
- China RoHS

ENVIRONMENTAL RATING:

Maximum Operating Temperature: 60C / 140F

NOTES

- UNIT DIMENSIONS: 1.72in x 17in x 18in / 44mm x 432mm x 457mm
- SHIPPED WEIGHT: TBD
- SHIPPING DIMENSIONS: 22.81in x 22.38in x 8.75in / 579mm x 594mm x 222mm
- Toolless Mounting Hardware : NA
- Finish: Black Powder Coat

OUTPUT POWER

CIRCUIT	PHASE	RECEPTACLE TYPE (QUANTITY)	VOLTAGE (V)	MAX. CONTINUOUS AMPS (A)	
				PER RECEPTACLE	PER CIRCUIT
1	L1	6xCombination C13/C19	200-240	10/16	16
2	L1	6xCombination C13/C19	200-240	10/16	16

INPUT POWER

INPUT CORD	INPUT PLUG	WIRE COUNT	FREQUENCY (Hz)	VOLTAGE (V)	RATED AMPS (A)	MAX. CONT. AMPS (A)
3m	IEC 60309 IP44	1/N/PE	50/60	200-240	32	32

METERING PARAMETER	MEASUREMENT ACCURACY
VOLTAGE	±1%
CURRENT	±1% - Input Current ±2% - Circuit/Breaker Current



IEC 60320
2P+E (IP44)

RoHS COMPLIANT

<p>Dimensions in mm</p>	Allgemeintoleranzen General tolerances		Oberfläche Finish		Werkstoff / Material		Gewicht: - Weight:		
	-		-		-		-		
Rev.	Change	Date	Name	Bezeichnung / Description Rack Transfer Switch 32A, 200-240V, 7.3kW (230V) Monitored Unit Level, (12) Combination C13/C19 Outlets					
				Drawn 10/26/2021 Checked - Approved -	Name MKV		Zeichnungs-Nr. / Drawing no. VA4G9100		
				Verwendet in / Used in -					Maßstab Scale 1:3
				VERTIV™					Blatt/Sheet 1/1