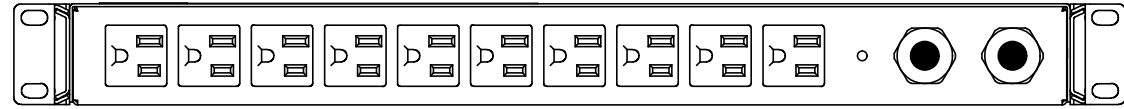


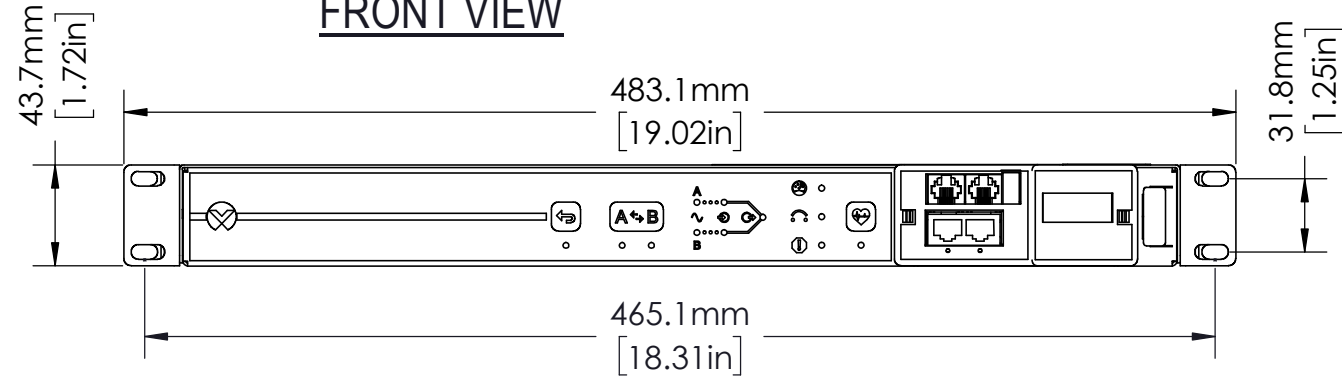
Disclosure and photocopying of this document, exploitation and communication of its contents are not permitted, unless permission is expressly granted. All rights are reserved.

Weitergabe sowie Vervielfältigung dieser Unterlage, Verwertung und Mitteilung ihres Inhalts nicht gestattet, soweit nicht ausdrücklich zugestanden. Alle Rechte vorbehalten.

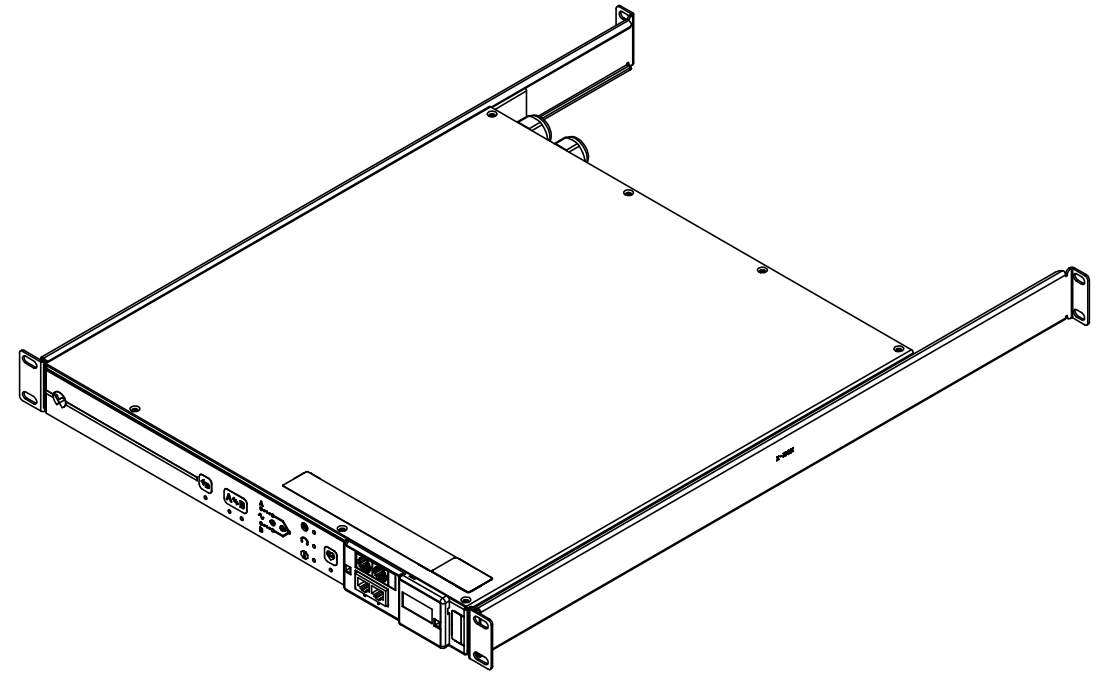
REAR VIEW



FRONT VIEW



SIDE VIEW



AGENCY COMPLIANCE:

- CE Marked
- Complies with EN 55032 and EN 55024
- Complies with IEC 62368 (CB Certificate Available)
- RoHS Compliant
- UL Listed 62368
- FCC Part 15 Class A Conformance
- China RoHS

ENVIRONMENTAL RATING:

Maximum Operating Temperature: 60C / 140F

NOTES

- UNIT DIMENSIONS: 1.72in x 17in x 18in / 44mm x 432mm x 457mm
- SHIPPED WEIGHT: TBD
- SHIPPING DIMENSIONS: 22.81in x 22.38in x 8.75in / 579mm x 594mm x 222mm
- Toolless Mounting Hardware : NA
- Finish: Black Powder Coat

OUTPUT POWER

CIRCUIT	PHASE	RECEPTACLE TYPE (QUANTITY)	VOLTAGE (V)	MAX. CONTINUOUS AMPS (A)	
				PER RECEPTACLE	PER CIRCUIT
1	L1	10xNEMA 5-15R	100-120	12	12

INPUT POWER

INPUT CORD	INPUT PLUG	WIRE COUNT	FREQUENCY (Hz)	VOLTAGE (V)	RATED AMPS (A)	MAX. CONT. AMPS (A)
3m	NEMA 5-15P	1/N/PE	50/60	100-120	15	12

METERING PARAMETER	MEASUREMENT ACCURACY
VOLTAGE	±1%
CURRENT	±1% - Input Current ±2% - Circuit/Breaker Current



NEMA 5-15P

RoHS COMPLIANT

<p>Dimensions in mm</p>	Allgemeintoleranzen General tolerances		Oberfläche Finish		Werkstoff / Material		Gewicht: - Weight:		
	-		-		-		-		
Rev.	Change	Date	Name	Bezeichnung / Description Rack Transfer Switch Monitored Unit Level, Horizontal, 15A, 120V, 1.4kW (10)NEMA 5-15R					
				Drawn	10/26/2021	Name	MKV	Zeichnungs-Nr. / Drawing no. VA4N1100	
				Checked	-		-	Maßstab Scale 1:3	
				Approved	-		-	Verwendet in / Used in -	
								Blatt/Sheet 1/1	