

Disclosure and photocopying of this document, exploitation and communication of its contents are not permitted, unless permission is expressly granted. All rights are reserved.

Weitergabe sowie Vervielfältigung dieser Unterlage, Verwertung und Mitteilung ihres Inhalts nicht gestattet, soweit nicht ausdrücklich zugestanden. Alle Rechte vorbehalten.

REAR VIEW



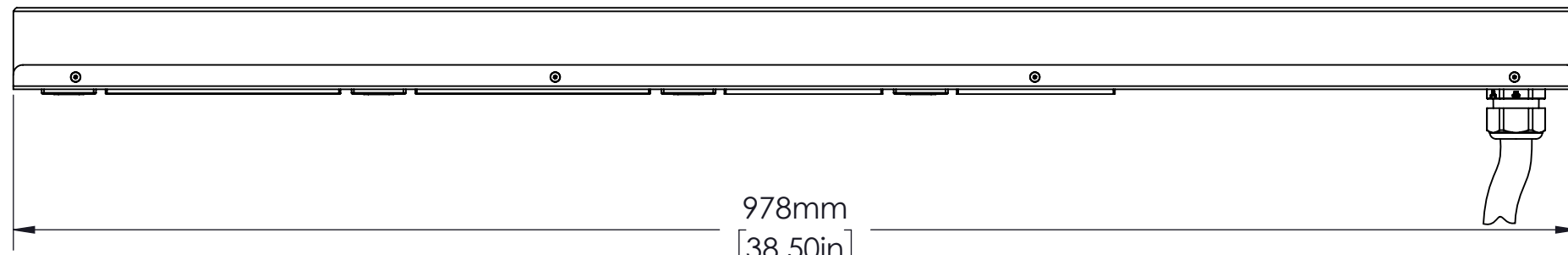
#10-32 BLIND PEM NUT
(REQUIRED FOR TOOLLESS MOUNTING)
2 PLACES

933mm
[36.73in]

22.5mm
[0.89in]

50.9mm
[2.00in]

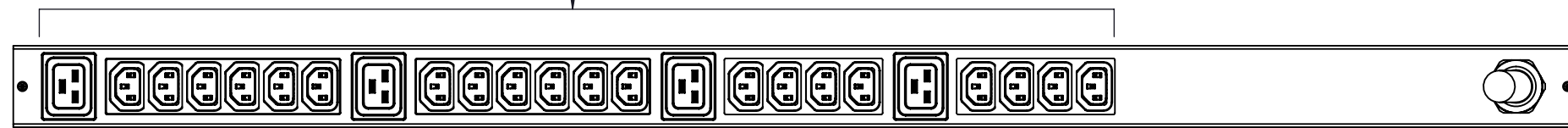
SIDE VIEW



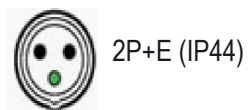
978mm
[38.50in]

50.8mm
[2.00in]

FRONT VIEW



CIRCUIT 1



AGENCY COMPLIANCE:

- CE Marked
- RoHS Compliant
- Complies with EN 55032 and EN 55024
- Complies with IEC 60950-1 (CB Certificate Available)

ENVIRONMENTAL RATING:

Continuous Operating Temperature Range: 10-45C / 50-113F

NOTES

- UNIT DIMENSIONS: 38.5in x 2.0in x 2.0in / 978mm x 51mm x 51mm
- SHIPPED WEIGHT: 9lbs (4.08kg)
- SHIPPING DIMENSIONS: 41in x 5in x 3in / 1042mm x 127mm x 77mm
- Toolless Mounting Hardware 36.75in / 933.45mm, and 7938 Vertical Mounting Bracket Kit

OUTPUT POWER

CIRCUIT	PHASE	RECEPTACLE TYPE (QUANTITY)	VOLTAGE (V)	MAX. CONTINUOUS AMPS (A)	
				PER RECEPTACLE	PER CIRCUIT
1	L1	20xC13, 4xC19	200-240	10/16	16

INPUT POWER

INPUT CORD	INPUT PLUG	WIRE COUNT	FREQUENCY (Hz)	VOLTAGE (V)	RATED AMPS (A)	MAX. CONT. AMPS (A)
3m	IEC 60309 IP44	1/N/PE	50/60	200-240	16	16

<p>Dimensions in mm</p>		Allgemeintoleranzen General tolerances		Oberfläche Finish		Werkstoff / Material		Gewicht: Weight: -	
		-		-		-		-	
		Date		Name		Bezeichnung / Description			
		24/10/18		SW		Basic, Vertical, 16A, 230V, (20) C13 / (4) C19			
		Checked		-					
		Approved		-					
						Zeichnungs-Nr. / Drawing no.			
						VP7551			
						Maßstab Scale 1:4			
Rev.		Change		Date		Name		Verwendet in / Used in	
								-	
								Blatt/Sheet 1/1	

