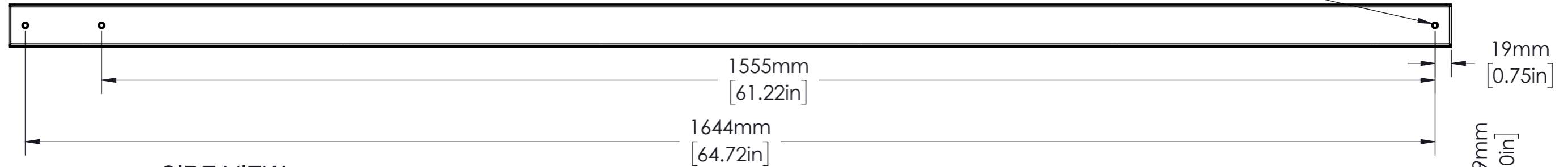
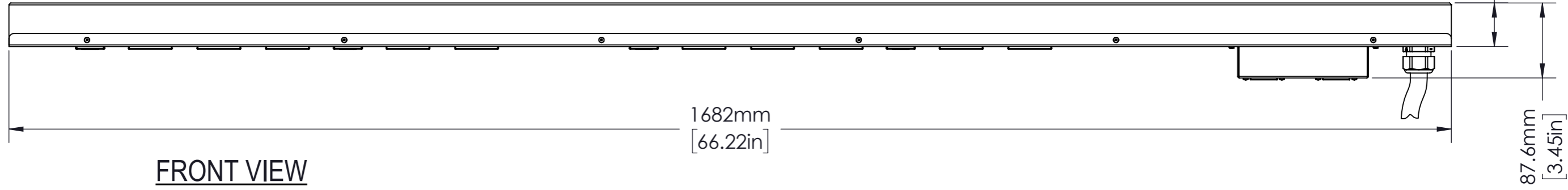


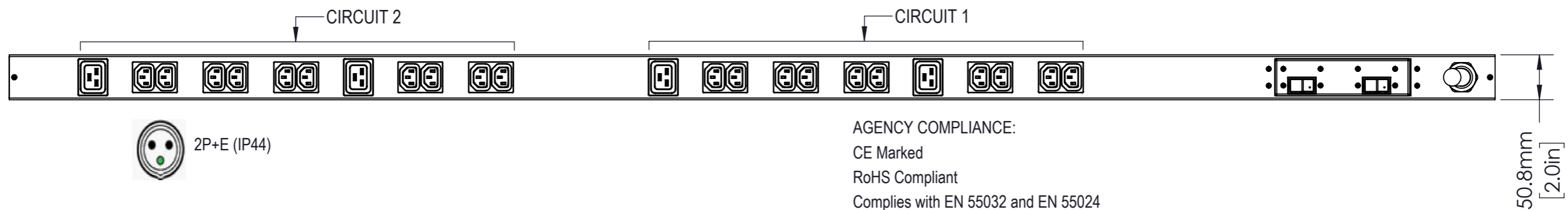
REAR VIEW



SIDE VIEW



FRONT VIEW



AGENCY COMPLIANCE:
 CE Marked
 RoHS Compliant
 Complies with EN 55032 and EN 55024
 Complies with IEC 60950-1 (CB Certificate Available)

ENVIRONMENTAL RATING:
 Continuous Operating Temperature Range: 10-45C / 50-113F

NOTES
 UNIT DIMENSIONS: 66.25in x 2.0in x 2.0in / 1683mm x 51mm x 51mm
 SHIPPED WEIGHT: 14lbs (6.35kg)
 SHIPPING DIMENSIONS: 72in x 9in x 7in / 1829mm x 223mm x 159mm
 Toolless Mounting Hardware 61.25in / 1556mm and 64.75in / 1645mm, and 7938 Vertical Mounting Bracket Kit

OUTPUT POWER

CIRCUIT	PHASE	RECEPTACLE TYPE (QUANTITY)	VOLTAGE (V)	MAX. CONTINUOUS AMPS (A)	
				PER RECEPTACLE	PER CIRCUIT
1	L1	10xC13, 2xC19	200-240	10/16	16
2	L1	10xC13, 2xC19	200-240	10/16	16

INPUT POWER

INPUT CORD	INPUT PLUG	WIRE COUNT	FREQUENCY (Hz)	VOLTAGE (V)	RATED AMPS (A)	MAX. CONT. AMPS (A)
3m	IEC 60309 IP44	1/N/PE	50/60	200-240	32	32

		Allgemeintoleranzen General tolerances		Oberfläche Finish		Werkstoff / Material		Gewicht: Weight: -	
		-		-		-		-	
Dimensions in mm Rev. Change Date Name		Date		Name		Bezeichnung / Description			
		24/10/18		SW		Basic, Vertical, 32A, 230V, (20) C-13 / (4) C-19			
		-		-		Zeichnungs-Nr. / Drawing no.			
		-		-		VP7553		Maßstab Scale 1:5	
		-		-		Verwendet in / Used in		Blatt/Sheet 1/1	

Disclosure and photocopying of this document, exploitation and communication of its contents are not permitted, unless permission is expressly granted. All rights are reserved.

Weitergabe sowie Vervielfältigung dieser Unterlage, Verwertung und Mitteilung ihres Inhalts nicht gestattet, soweit nicht ausdrücklich zugestanden. Alle Rechte vorbehalten.